

LED MOVING HEAD GOBO WASH LIGHT

User Manual



★Please read these instructions carefully before installing and using the product★

Before using the product for the first time

1. Unpack and ensure that there is no transportation damage before using the fixture. Do not attempt to operate a damaged fixture.

2. Package:

| Item | Quantity |
|------------------------|----------|
| LED Fixture (recessed) | 1 |
| Power Cable | 1 |
| Hanging accessory | 1 |
| Screws M5*8 | 4 |
| User Manual | 1 |

3. Check that the voltage and frequency of the local power source match the mains power requirements of the fixture.

4. Operate the fixture in accordance with the procedures described in this manual.

5. The fixture needs to be installed in a well-ventilated area.

6. Verify the weight bearing of the fixture before its suspended.

7. Turn off the power when you do any installation, maintenance, or cleaning work for the fixture.

Specification

* Voltage: AC110-240V 50Hz

* Power consumption: 100W

* Light source for Gobo: LED 60W, 11000K

* Light source for Wash: LED 6 x 10W RGBW

* Connector: RJ45 In/Out

* Control option: Auto, Sound, DMX512 (16CH/12CH), Master/Slave

* Prism: 6-Facet rotating prism

* Color wheel: 7 + 1

* Gobo wheel: 7 + 1

* X axis: 540°, * Y axis: 180°

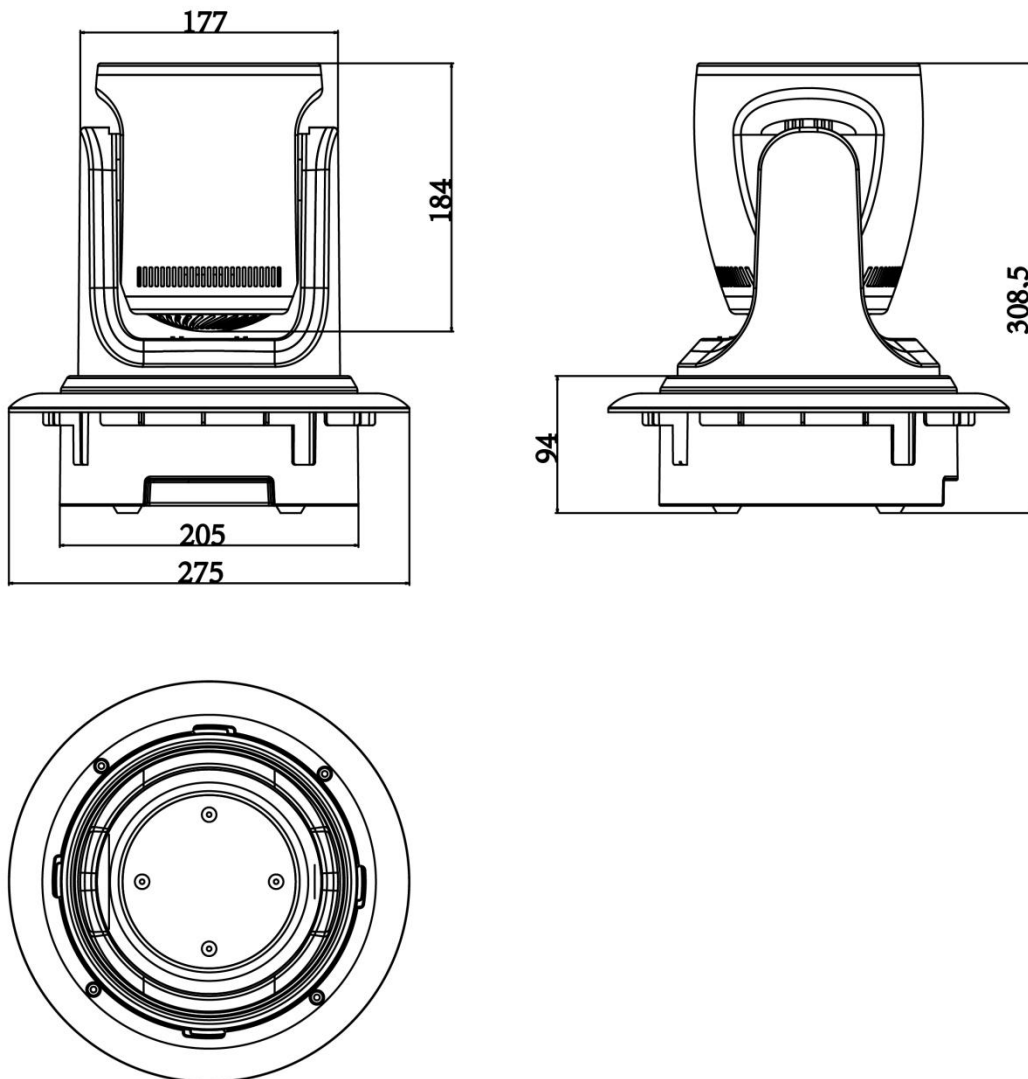
* NW: 3.75KG

* Dimension: 205*205*341mm

* Installation methods: Hanging on truss, Surface, Conceal mounted (Hole-cutting diameter: 235mm, Hole-cutting depth: ≥ 120mm)

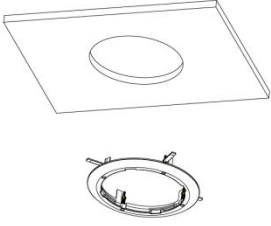

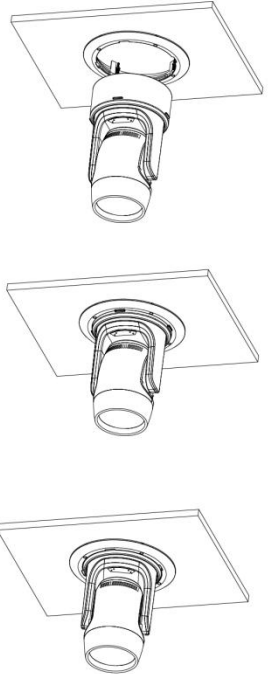
* **Notice:** When the device is in an abnormal situation, "ERRO" is displayed and the keys are locked (when the LEDs temperature is $> 75^{\circ}\text{C}$).

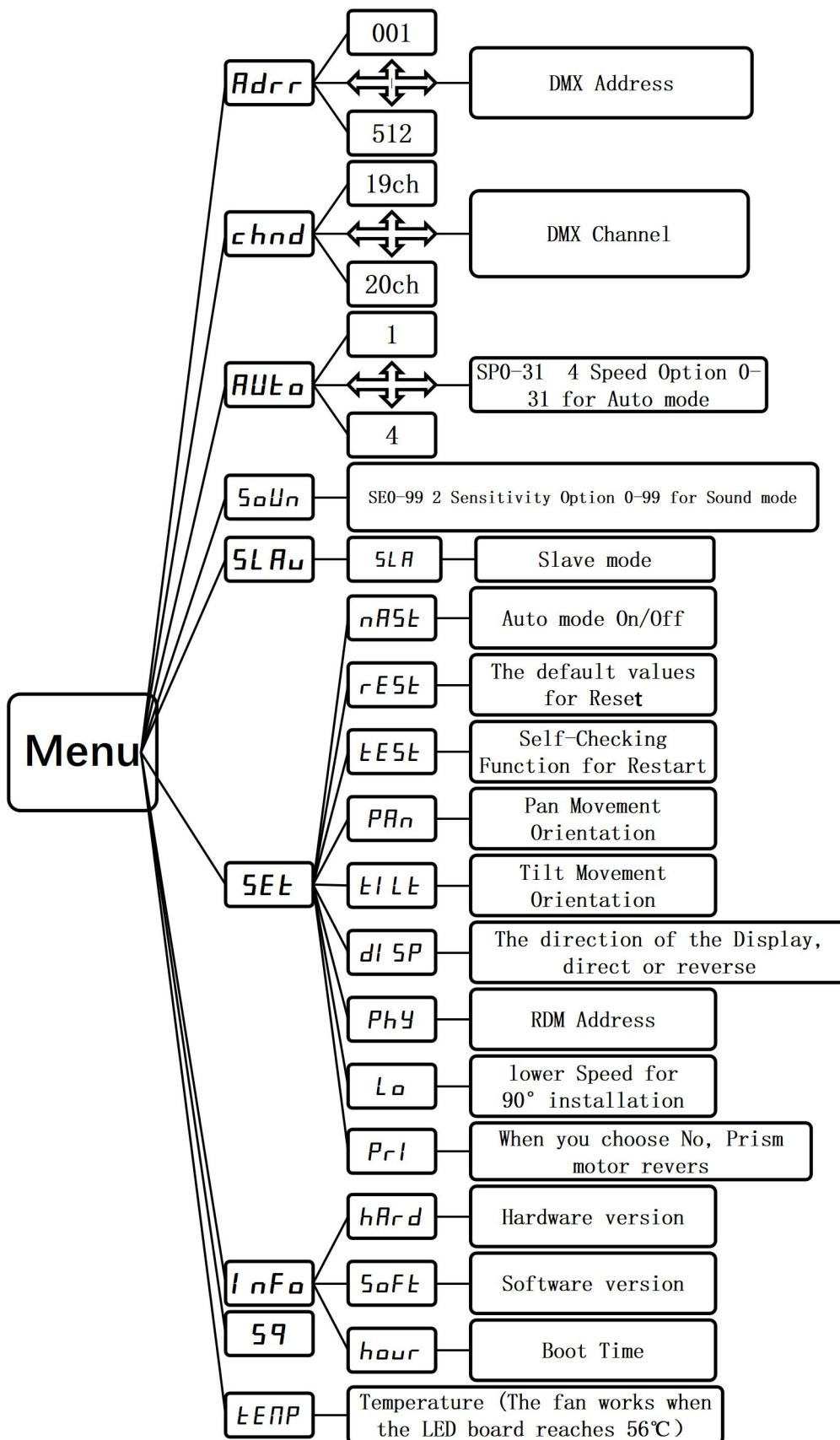
Fixture Overview:



Installation Intruction:

Note: The following instructions are only for the optional recessed mounting method. The flat head self-tapping screws need to be prepared by the user, and the length depends on the installation situation.

| Recessed Mount Instruction | |
|---|--|
| <p>1. Hole Cutting Diameter: 235mm Hole Cutting Depth \geq 120mm</p> |  |
| <p>2. Install the Decorative Cover to the ceiling and fasten the 4 screws.</p> |  |
| <p>3. Hold the base of the fixture and align the clamping position with the slot of the decorative cover. After inserting the decorative cover, rotate the base counterclockwise to make the clamping slot of the base snap into the slot of the decorative cover. Confirm the installation is finished, remove your hands.</p> |  |



DMX Channel Instruction

DMX 19 Channel

| Channel | Value | Function |
|---------|---------|--|
| 1 | 0 -255 | Pan Movement |
| 2 | 0 -255 | Tilt Movement |
| 3 | 0 -255 | Pan/Tilt Speed |
| 4 | 0-10 | Color 1 |
| | 11-19 | Color 2 |
| | 20-29 | Color 3 |
| | 30-39 | Color 4 |
| | 40-49 | Color 5 |
| | 50-59 | Color 6 |
| | 60-69 | Color 7 |
| | 70-79 | Color 8 |
| | 80-89 | 2-in-1 Color 1 |
| | 90-109 | 2-in-1 Color 2 |
| | 110-119 | 2-in-1 Color 3 |
| | 120-129 | 2-in-1 Color 4 |
| | 130-139 | 2-in-1 Color 5 |
| | 140-149 | 2-in-1 Color 6 |
| | 150-159 | 2-in-1 Color 7 |
| | 160-169 | 2-in-1 Color 8 |
| | >169 | Auto Color Changing Slow to Fast (Speed by 170-255) |
| 5 | 0-10 | Gobo 1 |
| | 11-19 | Gobo 2 |
| | 20-29 | Gobo 3 |
| | 30-39 | Gobo 4 |
| | 40-49 | Gobo 5 |
| | 50-59 | Gobo 6 |
| | 60-69 | Gobo 7 |
| | 70-79 | Gobo 8 |
| | | >79 |

| | | |
|---------|--------------|--|
| 6 | 0 -255 | Brightness for LEDs Wash |
| 7 | 0 -255 | Brightness for Red |
| 8 | 0 -255 | Brightness for Green |
| 9 | 0 -255 | Brightness for Blue |
| 10 | 0 -255 | Brightness for |
| 11 | 0 -255 | Brightless for Gobo |
| 12 | 0-7 | Default Effect |
| | 8-63 | Strobe for Wash & Gobo : Slow to Fast |
| | 64-127 | Wash & Gobo : 100%→0, Slow to Fast |
| | 128-191 | Wash & Gobo : 0→100%, Slow to Fast |
| | 192-255 | Wash & Gobo : 100%→0, 0→100%, Slow to Fast |
| 13 | 0-49 | None |
| | 50-99 | Linear Dimming 1 |
| | 100-149 | Linear Dimming 2 |
| | 150-199 | Linear Dimming 3 |
| | >199 | Linear Dimming 4 |
| 14 | 234-255 | 7 Colors fade-in & Fade-out |
| | 223-234 | 51 Colors Contunuous Scroll |
| | 216-219 | FLESH PINK |
| | 212-215 | CHERRY ROSE |
| | 208-211 | MAYAN SUN |
| | 204-207 | LIGHT SALMON |
| | 200-203 | COOL BLUE |
| | 196-199 | URBAN BLUE |
| | 1920195 | ROSE INDIGO |
| | 188-191 | ALICE BLUE |
| | 184-187 | BRIGHT BLUE |
| | 180-183 | MAUVE |
| 176-179 | ENGLISH ROSE | |

| | | |
|--|---------|-------------------|
| | 172-175 | FIRE |
| | 168-171 | SURPRISE PEACH |
| | 164-167 | SCARLET |
| | 160-163 | SURPRISE PINK |
| | 156-159 | JUST BLUE |
| | 152-155 | CHOCOLATE |
| | 148-151 | DARK LAVENDER |
| | 144-147 | APRICOT |
| | 140-143 | PALE LAVENDER |
| | 136-139 | DEEP GOLDEN AMBER |
| | 132-135 | GOLDEN AMBER |
| | 128-131 | MEDIUM BLUE |
| | 124-127 | BRIGHT PINK |
| | 120-123 | DARK BLUE |
| | 116-119 | MED BLUE GREEN |
| | 112-115 | BLUE 2 |
| | 108-111 | MAGENTA 2 |
| | 104-107 | DARK PINK |
| | 100-103 | LIGHT ROSE |
| | 96-99 | ORANGE 2 |
| | 92-95 | STRAW |
| | 88-91 | YELLOW 2 |
| | 84-87 | WHITE 2500 |
| | 80-83 | WHITE 3200 |
| | 76-79 | WARM WHITE |
| | 72-75 | COOL WHITE |
| | 68-71 | FULL WHITE |
| | 64-67 | SKY BLUE |
| | 60-63 | AQUAMARINE |
| | 56-59 | VIOLET |

| | | |
|----|---------|--|
| | 52-55 | PINK |
| | 48-51 | ORANGE |
| | 44-47 | WHITE |
| | 40-43 | MAGENTA |
| | 36-39 | CYAN |
| | 32-35 | YELLOW |
| | 28-31 | BLUE |
| | 24-27 | GREEN |
| | 20-23 | RED |
| | 0-19 | NONE |
| 15 | 0-31 | Default Effect |
| | 32-249 | Prism On, No Rotation |
| | 250-255 | Prism On with Rotation (Speed by CH7) |
| 16 | 0 - 255 | Speed for Prism, Fast to Slow |
| 17 | 0-14 | None |
| | 15-42 | Built-in 1 |
| | 43-70 | Built-in 2 |
| | 71-98 | Built-in 3 |
| | 99-128 | Built-in 4 |
| | 129-255 | None |
| 18 | 0 - 255 | Speed for Built-in Mode, Sensitive for Sound |
| 19 | 0-239 | None |
| | 201-240 | Pan/Tilt Reset |

DMX 20 Channel

| Channel | Value | Function |
|---------|--------|----------------|
| 1 | 0 -255 | Pan Movement |
| 2 | 0 -255 | Tilt Movement |
| 3 | 0 -255 | Pan/Tilt Speed |
| 4 | 0-10 | Color 1 |
| | 11-19 | Color 2 |
| | 20-29 | Color 3 |
| | 30-39 | Color 4 |

| | | |
|-------|---------|--|
| | 40-49 | Color 5 |
| | 50-59 | Color 6 |
| | 60-69 | Color 7 |
| | 70-79 | Color 8 |
| | 80-89 | 2-in-1 Color 1 |
| | 90-109 | 2-in-1 Color 2 |
| | 110-119 | 2-in-1 Color 3 |
| | 120-129 | 2-in-1 Color 4 |
| | 130-139 | 2-in-1 Color 5 |
| | 140-149 | 2-in-1 Color 6 |
| | 150-159 | 2-in-1 Color 7 |
| | 160-169 | 2-in-1 Color 8 |
| | >169 | Auto Color Changing Slow to Fast (Speed by 170-255) |
| | 5 | 0-10 |
| 11-19 | | Gobo 2 |
| 20-29 | | Gobo3 |
| 30-39 | | Gobo 4 |
| 40-49 | | Gobo 5 |
| 50-59 | | Gobo 6 |
| 60-69 | | Gobo 7 |
| 70-79 | | Gobo 8 |
| >79 | | Auto Gobo Changing Slow to Fast (Speed by 240-255) |
| 6 | 0 -255 | Brightness for LEDs Wash |
| 7 | 0 -255 | Brightness for Red |
| 8 | 0 -255 | Brightness for Green |
| 9 | 0 -255 | Brightness for Blue |
| 10 | 0 -255 | Brightness for White |
| 11 | 0 -255 | Brightness for Gobo |
| 12 | 0 -255 | Strobe for Wash & Gobo: Slow to Fast |
| 13 | 234-255 | 7 Colors fade-in & Fade-out |
| | 223-234 | 51 Colors Continuous Scroll |
| | 216-219 | FLESH PINK |
| | 212-215 | CHERRY ROSE |

| | | |
|--|---------|-------------------|
| | 208-211 | MAYAN SUN |
| | 204-207 | LIGHT SALMON |
| | 200-203 | COOL BLUE |
| | 196-199 | URBAN BLUE |
| | 1920195 | ROSE INDIGO |
| | 188-191 | ALICE BLUE |
| | 184-187 | BRIGHT BLUE |
| | 180-183 | MAUVE |
| | 176-179 | ENGLISH ROSE |
| | 172-175 | FIRE |
| | 168-171 | SURPRISE PEACH |
| | 164-167 | SCARLET |
| | 160-163 | SURPRISE PINK |
| | 156-159 | JUST BLUE |
| | 152-155 | CHOCOLATE |
| | 148-151 | DARK LAVENDER |
| | 144-147 | APRICOT |
| | 140-143 | PALE LAVENDER |
| | 136-139 | DEEP GOLDEN AMBER |
| | 132-135 | GOLDEN AMBER |
| | 128-131 | MEDIUM BLUE |
| | 124-127 | BRIGHT PINK |
| | 120-123 | DARK BLUE |
| | 116-119 | MED BLUE GREEN |
| | 112-115 | BLUE 2 |
| | 108-111 | MAGENTA 2 |
| | 104-107 | DARK PINK |
| | 100-103 | LIGHT ROSE |
| | 96-99 | ORANGE 2 |
| | 92-95 | STRAW |
| | 88-91 | YELLOW 2 |
| | 84-87 | WHITE 2500 |
| | 80-83 | WHITE 3200 |
| | 76-79 | WARM WHITE |
| | 72-75 | COOL WHITE |

| | | |
|----|----------|--|
| | 68-71 | FULL WHITE |
| | 64-67 | SKY BLUE |
| | 60-63 | AQUAMARINE |
| | 56-59 | VIOLET |
| | 52-55 | PINK |
| | 48-51 | ORANGE |
| | 44-47 | WHITE |
| | 40-43 | MAGENTA |
| | 36-39 | CYAN |
| | 32-35 | YELLOW |
| | 28-31 | BLUE |
| | 24-27 | GREEN |
| | 20-23 | RED |
| | 0-19 | NONE |
| 14 | 0-31 | Default Effect |
| | 32-249 | Prism On, No Rotation |
| | 250-255 | Prism On with Rotation (Speed by CH7) |
| 15 | 0 - 255 | Speed for Prism, Fast to Slow |
| 16 | 0-14 | None |
| | 15-42 | Built-in Mode 1 |
| | 43-70 | Built-in Mode 2 |
| | 71-98 | Built-in Mode 3 |
| | 99-128 | Built-in Mode 4 |
| | 129-255 | None |
| 17 | 0 - 255 | Speed for Built-in Mode, Sentitivity for Sound |
| 18 | 0 - 255 | Pan Adjustment of Subdivided Degree (1/8° of the standard 1.7°) |
| 19 | 0 - 255 | Tilt Adjustment of Subdivided Degree (1/8° of the standard 1.7°) |
| 20 | 0 - 239 | None |
| | 201 -240 | Pan/Tilt Reset |